

## Bauart EBT

Einteilige Ausführung mit Bremstrommel nach DIN 15431

Kupplungsnapen Teil 101 und Teil 108 aus GG

Bremstrommel aus GGG, andere Werkstoffe auf Anfrage

Elastischer Zwischenring in verschiedenen Härten: Standard Pb72, hart Pb82

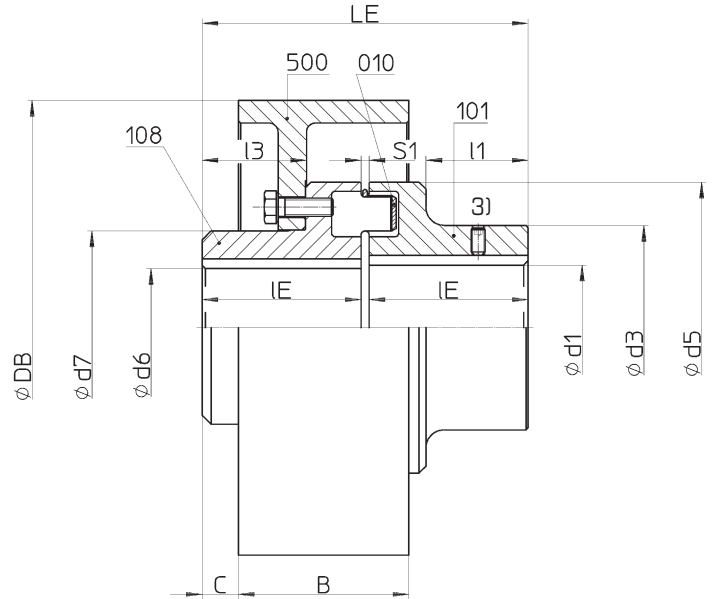
Alle Gewichtsangaben für ungebohrte Kupplungen

<sup>1)</sup> Gewicht einschließlich hälftigem Anteil des elastischen Zwischenrings

<sup>2)</sup> Bei Stoßbeanspruchung maximal zulässiges Drehmoment beachten – siehe Tabelle Datenübersicht

<sup>3)</sup> Stellschraube auf Kundenwunsch

<sup>4)</sup> Anordnung der Bremscheibe so wählen, dass Bremsdrehmoment nicht über den elastischen Zwischenring geleitet wird



## Type EBT

One part design with brake drum acc. to DIN 15431

Coupling hubs part 101 and 108 in grey cast iron

Brake drum in nodular cast iron, other materials on request

Elastic intermediate ring in different hardnesses: standard Pb72, hard Pb82

Mass information for unbored coupling hubs

<sup>1)</sup> Inclusive the half share of the intermediate ring

<sup>2)</sup> Attention on peak load - take into account maximum torque notified in data overview

<sup>3)</sup> Set screw on demand

<sup>4)</sup> Choose brake disk assembly in a way, that brake torque does not affect intermediate ring

## WN 05 EBT

Kombination  
Combination

| Größe Size      |                |       | Nor-Mex<br>Ident.-Nr.<br>Id.-No. | Nennmoment <sup>2)</sup><br>Nominal torque |                 | Bremsmoment <sup>4)</sup><br>Brake torque | Drehzahl<br>Speed | max.<br>Fertigbohrung<br>max. finished bore |                |                |                |                |                |                |                |       |                |  |                 | Kombination<br>Combination EBT |  | Masse Mass |  |
|-----------------|----------------|-------|----------------------------------|--|-----------------|---|-------------------|---|----------------|----------------|----------------|----------------|----------------|----------------|----------------|-------|----------------|--|-----------------|--------------------------------|--|------------|--|
| d <sub>5</sub>  | D <sub>B</sub> | B     |                                  | T <sub>KN</sub>                            | T <sub>KN</sub> | T <sub>BR</sub>                           | n <sub>max.</sub> | d <sub>1</sub>                              | d <sub>6</sub> | d <sub>3</sub> | d <sub>7</sub> | l <sub>E</sub> | L <sub>E</sub> | l <sub>1</sub> | l <sub>3</sub> | C     | S <sub>1</sub> | Seite<br>Bremstrommel<br>Side brake drum <sup>1)</sup> | Gesamt<br>Total |                                |  |            |  |
| mm              | mm             | mm    |                                  | Pb72                                       | Pb82            |   | min <sup>-1</sup> | mm  | mm             | mm             | mm             | mm             | mm             | mm             | mm             | mm    | mm             | kg   | kg              |                                |  |            |  |
|                 |                |       |                                  | Nm   | Nm              | Nm  |                   |   |                |                |                |                |                |                |                |       |                |  |                 |                                |  |            |  |
| 112 - 200 - 75  | WN0511-200     | 150   | 230                              | 450  | 4200            | 48  | 42                | 79  | 68             | 60             | 123,5          | 38             | 38,5           | 11,0           | 3,5±1,0        | 7,3   | 9,9            |  |                 |                                |  |            |  |
| 128 - 200 - 75  | WN0512-200     | 250   | 380                              | 550  | 4200            | 55  | 52                | 90  | 85             | 70             | 143,5          | 45             | 45,5           | 16,0           | 3,5±1,0        | 8,9   | 13,0           |  |                 |                                |  |            |  |
| 148 - 250 - 95  | WN0514-250     | 390   | 600                              | 1000                                       | 3400            | 65  | 58                | 107   | 94             | 80             | 163,5          | 52             | 52,5           | 16,0           | 3,5±1,0        | 14,8  | 21,1           |  |                 |                                |  |            |  |
| 168 - 250 - 95  | WN0516-250     | 630   | 980                              | 1600                                       | 3400            | 75  | 72                | 124   | 118            | 90             | 183,5          | 56             | 56,5           | 19,0           | 3,5±1,5        | 18,1  | 27,7           |  |                 |                                |  |            |  |
| 168 - 315 - 118 | WN0516-315     | 630   | 980                              | 1600                                       | 2700            | 75  | 72                | 124   | 118            | 90             | 183,5          | 56             | 56,5           | 8,0            | 3,5±1,5        | 27,2  | 36,9           |  |                 |                                |  |            |  |
| 194 - 315 - 118 | WN0519-315     | 1050  | 1650                             | 2750                                       | 2700            | 85  | 85                | 140   | 138            | 100            | 203,5          | 62             | 62,5           | 16,5           | 3,5±1,5        | 30,8  | 44,7           |  |                 |                                |  |            |  |
| 214 - 315 - 118 | WN0521-315     | 1500  | 2400                             | 3350                                       | 2700            | 95  | 92                | 157   | 153            | 110            | 224,0          | 68             | 68,5           | 19,0           | 4,0±2,0        | 36,0  | 55,0           |  |                 |                                |  |            |  |
| 214 - 400 - 150 | WN0521-400     | 1500  | 2400                             | 3350                                       | 2100            | 95  | 90                | 157   | 153            | 110            | 224,0          | 68             | 68,5           | 12,5           | 4,0±2,0        | 51,7  | 70,8           |  |                 |                                |  |            |  |
| 240 - 400 - 150 | WN0524-400     | 2400  | 3700                             | 4200                                       | 2100            | 110                                       | 102               | 179   | 168            | 120            | 244,0          | 75             | 75,5           | 18,0           | 4,0±2,0        | 57,7  | 84,4           |  |                 |                                |  |            |  |
| 240 - 500 - 190 | WN0524-500     | 2400  | 3700                             | 4200                                       | 1700            | 110                                       | 102               | 179   | 168            | 120            | 244,0          | 75             | 75,5           | 9,0            | 4,0±2,0        | 84,5  | 111,4          |  |                 |                                |  |            |  |
| 265 - 500 - 190 | WN0526-500     | 3700  | 5800                             | 8700                                       | 1700            | 120                                       | 120               | 198   | 198            | 140            | 285,5          | 90             | 90,5           | 22,0           | 5,5±2,5        | 96,6  | 134,1          |  |                 |                                |  |            |  |
| 295 - 500 - 190 | WN0529-500     | 4900  | 7550                             | 9800                                       | 1700            | 130                                       | 130               | 214   | 214            | 150            | 308,0          | 98             | 98,5           | 30,0           | 8,0±2,5        | 106,0 | 153,9          |  |                 |                                |  |            |  |
| 295 - 630 - 236 | WN0529-630     | 4900  | 7500                             | 9800                                       | 1360            | 130                                       | 130               | 214   | 214            | 150            | 308,0          | 98             | 98,5           | 5,0            | 8,0±2,5        | 159,7 | 207,5          |  |                 |                                |  |            |  |
| 330 - 630 - 236 | WN0533-630     | 6400  | 9900                             | 10600                                      | 1360            | 150                                       | 150               | 248   | 248            | 160            | 328,0          | 104            | 104,5          | 11,0           | 8,0±2,5        | 176,7 | 243,1          |  |                 |                                |  |            |  |
| 330 - 710 - 265 | WN0533-710     | 6400  | 9900                             | 10600                                      | 1200            | 150                                       | 150               | 248   | 248            | 160            | 328,0          | 104            | 104,5          | 0,0            | 8,0±2,5        | 214,9 | 281,3          |  |                 |                                |  |            |  |
| 370 - 710 - 265 | WN0537-710     | 8900  | 14000                            | 13500                                      | 1200            | 170                                       | 170               | 278   | 278            | 180            | 368,0          | 118            | 118,5          | 15,0           | 8,0±2,5        | 242,3 | 366,2          |  |                 |                                |  |            |  |
| 415 - 710 - 265 | WN0541-710     | 13200 | 20500                            | 16000                                      | 1200            | 190                                       | 185               | 315   | 308            | 200            | 408,0          | 135            | 135,5          | 25,0           | 8,0±2,5        | 285,8 | 415,4          |  |                 |                                |  |            |  |

## Bauart GBT

Mehrteilige Ausführung, zum Wechsel des elastischen Zwischenrings ohne axiales Verschieben der angeschlossenen Aggregate mit Bremsstrommel nach DIN 15431

Bremstrommel aus GGG, andere Werkstoffe auf Anfrage  
Kupplungsnahe Teil 108 und Klauenring Teil 102 aus GG

Flanschnabe Teil 104 aus Stahl, jedoch Größen 330, 370 und 415 aus GGG

Elastischer Zwischenring in verschiedenen Härten: Standard Pb72, hart Pb82

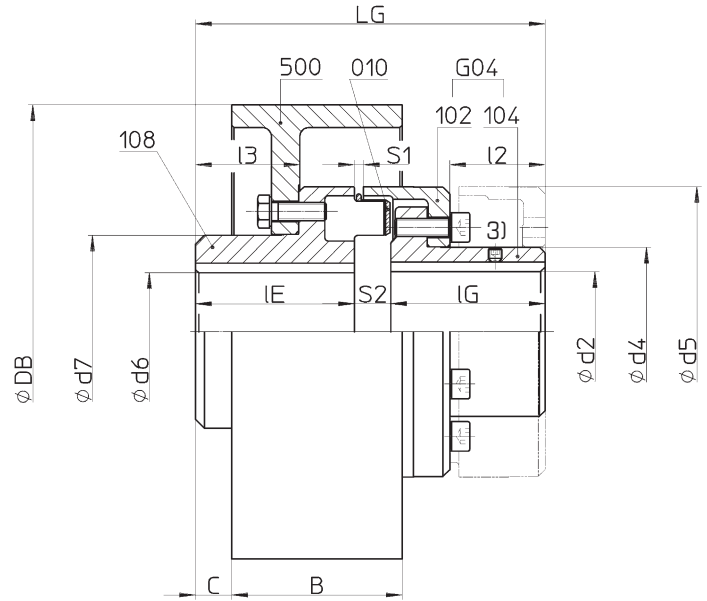
Alle Gewichtsangaben für ungebohrte Kupplungen

<sup>1)</sup> Gewicht einschließlich hälftigem Anteil des elastischen Zwischenrings

<sup>2)</sup> Bei Stoßbeanspruchung maximal zulässiges Drehmoment beachten – siehe Tabelle Datenübersicht

<sup>3)</sup> Stellschraube auf Kundenwunsch

<sup>4)</sup> Anordnung der Bremsstrommel so wählen, dass Bremsdrehmoment nicht über die elastischen Zwischenringe geleitet wird



## Type GBT

Multi-part design, to change the intermediate ring without axial movement of the driven parts with brake drum acc. to DIN 15431

Brake drum in nodular cast iron, other materials on request

Coupling hub part 108 and claw ring part 102 in grey cast iron

Flange hub part 104 in steel, sizes 330, 370 and 415, however in nodular cast iron

Elastic intermediate ring in different hardnesses: standard Pb72, hard Pb82

Mass information for unbored coupling hubs

<sup>1)</sup> Inclusive the half share of the intermediate ring

<sup>2)</sup> Attention on peak load - take into account maximum torque notified in data overview

<sup>3)</sup> Set screw on demand

<sup>4)</sup> Choose brake disk assembly in a way, that brake torque does not affect intermediate ring

**WN 06**  
**GBT** Kombination  
Combination

| Größe Size     |                |     | Nor-Mex<br>Ident.-Nr.<br>Id.-No. | Nenn Drehmoment <sup>1)</sup><br>Nominal torque |                 |                 | Drehzahl<br>Speed | max. Fertigungsbohrung<br>max. finished bore |                |                |                |                |                |                |                |                |                |         |                | Kombination<br>Combination GBT | Masse Mass     |   |                 |
|----------------|----------------|-----|----------------------------------|---|-----------------|-----------------|-------------------|--|----------------|----------------|----------------|----------------|----------------|----------------|----------------|----------------|----------------|---------|----------------|--------------------------------|----------------|---|-----------------|
| d <sub>s</sub> | D <sub>B</sub> | B   |                                  | T <sub>KN</sub>                                 | T <sub>KN</sub> | T <sub>BR</sub> |                   | n <sub>max</sub>                             | d <sub>2</sub> | d <sub>6</sub> | d <sub>4</sub> | d <sub>7</sub> | l <sub>E</sub> | l <sub>G</sub> | L <sub>G</sub> | l <sub>2</sub> | l <sub>3</sub> | C       | S <sub>1</sub> |                                | S <sub>2</sub> | Seite<br>Bremsstrommel<br>Side brake drum <sup>1)</sup> | Gesamt<br>Total |
|                |                |     |                                  | Pb72  | Pb82            |                 |                   |  |                |                |                |                |                |                |                |                |                |         |                |                                |                |   |                 |
| mm             | mm             | mm  |                                  | Nm  | Nm              | Nm              |                   | min <sup>-1</sup>                            | mm             | mm             | mm             | mm             | mm             | mm             | mm             | mm             | mm             | mm      | mm             |                                | mm             | mm  | kg              |
| 112            | 200            | 75  | WN0611-200                       | 150   | 230             | 450             | 4200              | 46   | 42             | 64,5           | 68             | 60             | 58             | 133            | 32,5           | 38,5           | 11,0           | 3,5±1,0 | 15±1,0         | 7,3                            | 10,2           |   |                 |
| 128            | 200            | 75  | WN0612-200                       | 250   | 380             | 550             | 4200              | 53   | 52             | 74,5           | 85             | 70             | 68             | 154            | 42,0           | 45,5           | 16,0           | 3,5±1,0 | 16±1,0         | 8,9                            | 13,0           |   |                 |
| 148            | 250            | 95  | WN0614-250                       | 390   | 600             | 1000            | 3400              | 65   | 58             | 92,5           | 94             | 80             | 78             | 176            | 47,0           | 52,5           | 16,0           | 3,5±1,0 | 18±1,0         | 14,8                           | 21,5           |   |                 |
| 168            | 250            | 95  | WN0616-250                       | 630   | 980             | 1600            | 3400              | 75   | 72             | 104,5          | 118            | 90             | 87             | 198            | 52,5           | 56,5           | 19,0           | 3,5±1,5 | 21±1,5         | 18,1                           | 27,8           |   |                 |
| 168            | 315            | 118 | WN0616-315                       | 630   | 980             | 1600            | 2700              | 75   | 72             | 104,5          | 118            | 90             | 87             | 198            | 52,5           | 56,5           | 8,0            | 3,5±1,5 | 21±1,5         | 27,2                           | 37,0           |   |                 |
| 194            | 315            | 118 | WN0619-315                       | 1050  | 1650            | 2750            | 2700              | 85   | 85             | 121,5          | 138            | 100            | 97             | 221            | 60,0           | 62,5           | 16,5           | 3,5±1,5 | 21±1,5         | 30,8                           | 45,4           |   |                 |
| 214            | 315            | 118 | WN0621-315                       | 1500  | 2400            | 3350            | 2700              | 95   | 92             | 135,5          | 153            | 110            | 107            | 243            | 66,5           | 68,5           | 19,0           | 4,0±2,0 | 26±2,0         | 36,0                           | 55,6           |   |                 |
| 214            | 400            | 150 | WN0621-400                       | 1500  | 2400            | 3350            | 2100              | 95   | 92             | 135,5          | 153            | 110            | 107            | 243            | 66,5           | 68,5           | 12,5           | 4,0±2,0 | 26±2,0         | 51,7                           | 71,4           |   |                 |
| 240            | 400            | 150 | WN0624-400                       | 2400  | 3700            | 4200            | 2100              | 100  | 102            | 146,0          | 168            | 120            | 117            | 267            | 75,5           | 75,5           | 18,0           | 4,0±2,0 | 30±2,0         | 57,7                           | 83,5           |   |                 |
| 240            | 500            | 190 | WN0624-500                       | 2400  | 3700            | 4200            | 1700              | 100  | 102            | 146,0          | 168            | 120            | 117            | 267            | 75,5           | 75,5           | 9,0            | 4,0±2,0 | 30±1,0         | 84,5                           | 110,5          |   |                 |
| 265            | 500            | 190 | WN0626-500                       | 3700  | 5800            | 8700            | 1700              | 115  | 120            | 164,0          | 198            | 140            | 137            | 310            | 88,0           | 90,5           | 22,0           | 5,5±2,5 | 33±2,0         | 96,6                           | 134,4          |   |                 |
| 295            | 500            | 190 | WN0629-500                       | 4900  | 7550            | 9800            | 1700              | 130  | 130            | 181,0          | 214            | 150            | 147            | 334            | 96,0           | 98,5           | 30,0           | 8,0±2,5 | 37±2,5         | 106,0                          | 155,5          |   |                 |
| 295            | 630            | 236 | WN0629-630                       | 4900  | 7550            | 9800            | 1360              | 130  | 130            | 181,0          | 214            | 150            | 147            | 334            | 96,0           | 98,5           | 5,0            | 8,0±2,5 | 37±2,5         | 159,7                          | 209,1          |   |                 |
| 330            | 630            | 236 | WN0633-630                       | 6400  | 9900            | 10600           | 1360              | 135  | 150            | 208,0          | 248            | 160            | 156            | 356            | 101,5          | 104,5          | 11,0           | 8,0±2,5 | 40±2,5         | 176,7                          | 240,2          |   |                 |
| 330            | 710            | 265 | WN0633-710                       | 6400  | 9900            | 10600           | 1200              | 135  | 150            | 208,0          | 248            | 160            | 156            | 356            | 101,5          | 104,5          | 0,0            | 8,0±2,5 | 40±2,5         | 214,9                          | 278,3          |   |                 |
| 370            | 710            | 265 | WN0637-710                       | 8900  | 14000           | 13500           | 1200              | 160  | 170            | 241,0          | 278            | 180            | 176            | 399            | 117,0          | 118,5          | 15,0           | 8,0±2,5 | 43±2,5         | 242,3                          | 332,0          |   |                 |
| 415            | 710            | 265 | WN0641-710                       | 13200   | 20500           | 16000           | 1200              | 180  | 185            | 275,0          | 308            | 200            | 196            | 441            | 131,0          | 135,5          | 25,0           | 8,0±2,5 | 45±2,5         | 285,8                          | 414,3          |   |                 |