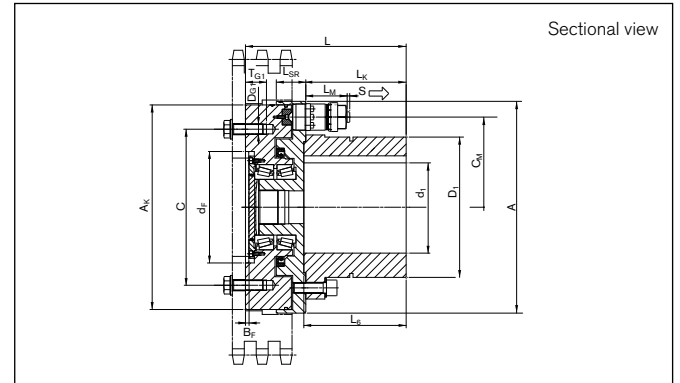


GERWAH® Backlash-free Safety Couplings

Type GWS 5420

with flange-hub and keyway-hub



Dimensions / Technical data

- | | | |
|---|--|---|
| n_M = Number of modules | A = Max. outer diameter | D_{G1} = Thread |
| MO = Modul version | A_K = Outer contour | L = Overall length |
| d_{1kmin} = Min. bore diameter with keyway acc. DIN 6885-1 | B_F = Available depth | L₆ = Length of basic part |
| d_{1kmax} = Max. bore diameter with keyway acc. DIN 6885-1 | C = Pitch circle diameter | L_K = Length of coupling hub |
| T_{KNmin} = Min. adjustment value for transmissible torque | C_M = Pitch circle diameter of module range | L_M = Protruding module length |
| T_{KNmax} = Max. adjustment value for transmissible torque | d_F = Center diameter | L_{SR} = Outer length shift ring |
| | D₁ = Outer diameter hub | S = Disengagement travel |
| | D_G = Thread | n_{max} = Max. rotation speed |
| | T_{G1} = Depth of thread G 1 | Gw = Weight |

Size	n _M	MO	T _{G1}	D _{G1}	d _{1kmin}	d _{1kmax}	A	A _K	B _F	C	C _M	B _F	L	L ₆	L _K	L _M	L _{SR}	S	T _{KNmin}	T _{KNmax}	n _{max}	Gw
	pcs.		mm	mm	mm	mm	mm	mm	mm	mm	mm	mm	mm	mm	mm	mm	mm	mm	Nm	Nm	1/min	kg
058-090	4	a	24	12xM12	25	90	200	190	4,5	120	154	110	180	92	102	63	40	4	670	1950	3000	40
058-090	4	b	24	12xM12	25	90	200	190	4,5	120	154	110	180	92	102	63	40	4	1350	3900	3000	40
058-090	4	c	24	12xM12	25	90	200	190	4,5	120	154	110	180	92	102	63	40	4	2000	5800	3000	40
110-120	3	a	24	12xM12	40	120	242	234	5,5	165	194	140	200	119	116	63	40	4	640	1850	2700	48
110-120	3	b	24	12xM12	40	120	242	234	5,5	165	194	140	200	119	116	63	40	4	1850	5500	2700	48
110-120	6	a	24	12xM12	40	120	242	234	5,5	165	194	140	200	119	116	63	40	4	3850	11000	2700	48
227-160	3	a	32	12xM16	55	160	312	300	5,5	214	266	170	245	156	153	63	45	4	880	2600	2300	95
227-160	3	b	32	12xM16	55	160	312	300	5,5	214	266	170	245	156	153	63	45	4	2600	7550	2300	95
227-160	6	a	32	12xM16	55	160	312	300	5,5	214	266	170	245	156	153	63	45	4	5300	15200	2300	95
227-160	9	a	32	12xM16	55	160	312	300	5,5	214	266	170	245	156	153	63	45	4	7900	22700	2300	95
424-200	3	a	34	12xM20	70	200	420	410	6,5	262	372	200	292	196	193	63	45	4	1200	3550	1900	180
424-200	3	b	34	12xM20	70	200	420	410	6,5	262	372	200	292	196	193	63	45	4	3550	10600	1900	180
424-200	6	a	34	12xM20	70	200	420	410	6,5	262	372	200	292	196	193	63	45	4	7350	21200	1900	180
424-200	9	a	34	12xM20	70	200	420	410	6,5	262	372	200	292	196	193	63	45	4	11000	31800	1900	180
424-200	12	a	34	12xM20	70	200	420	410	6,5	262	372	200	292	196	193	63	45	4	14700	42400	1900	180

Ordering example: GWS 5420

Type	Size	d ₁	Nm	MO	n _M	Further details
GWS 5420	058-090	60	1850	a	3	*

* Switch disc optional

Subject to technical changes.