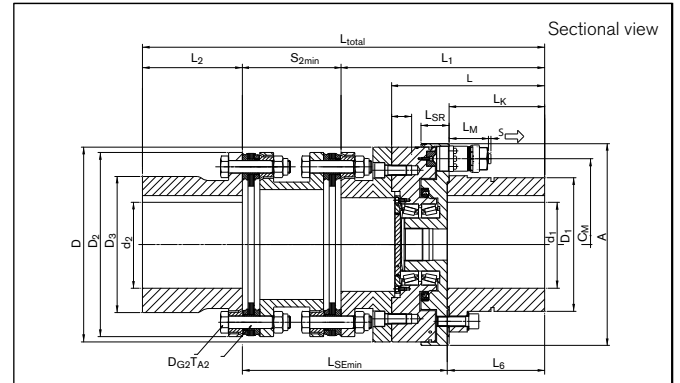


**GERWAH® Backlash-free Safety Couplings**

**Type GWS 5422**  
rigid disc coupling with keyway-hubs



**Dimensions**

- n<sub>M</sub>** = Number of modules
- MO** = Modul version
- d<sub>1kmin</sub>** = Min. bore diameter with keyway acc. DIN 6885-1
- d<sub>1kmax</sub>** = Max. bore diameter with keyway acc. DIN 6885-1
- d<sub>2kmin</sub>** = Min. bore diameter with keyway
- d<sub>2kmax</sub>** = Max. bore diameter with keyway
- D<sub>G2</sub>** = Thread

- T<sub>A2</sub>** = Tightened torque of clamping screw (G2)
- A** = Max. outer diameter
- C<sub>M</sub>** = Pitch circle diameter of module range
- D** = Outer diameter
- D<sub>1</sub>** = Outer diameter hub
- D<sub>2</sub>** = Outer diameter hub
- D<sub>3</sub>** = Outer diameter hub
- L<sub>total</sub>** = Total length (several parts)

- L** = Overall length
- L<sub>1</sub>** = Length of coupling
- L<sub>2</sub>** = Length of the hub
- L<sub>6</sub>** = Length of basic part
- L<sub>K</sub>** = Length of coupling hub
- L<sub>M</sub>** = Protruding module length
- L<sub>SR</sub>** = Outer length shift ring
- L<sub>SEmin</sub>** = Min. shaft distance

Size	n <sub>M</sub>	MO	D <sub>G2</sub>	T <sub>A2</sub>	d <sub>1kmin</sub>	d <sub>1kmax</sub>	d <sub>2kmin</sub>	d <sub>2kmax</sub>	A	C <sub>M</sub>	D	D <sub>1</sub>	D <sub>2</sub>	D <sub>3</sub>	L <sub>total</sub>	L	L <sub>1</sub>	L <sub>2</sub>	L <sub>6</sub>	L <sub>K</sub>	L <sub>M</sub>	L <sub>SR</sub>	L <sub>SEmin</sub>
	pcs.		mm	Nm	mm																		
058-090	4	a	M14	210	25	90	30	110*	200	154	198,5	120	198,5	141	424	180	236	90	92	102	63	40	229
058-090	4	b	M14	210	25	90	30	110*	200	154	198,5	120	198,5	141	424	180	236	90	92	102	63	40	229
058-090	4	c	M14	210	25	90	30	110*	200	154	198,5	120	198,5	141	424	180	236	90	92	102	63	40	229
110-120	3	a	M16	280	40	110	40	120	242	194	234	148	234	169	512	200	265	125	119	116	63	40	268
110-120	3	b	M16	280	40	110	40	120	242	194	234	148	234	169	512	200	265	125	119	116	63	40	268
110-120	6	a	M16	280	40	110	40	120	242	194	234	148	234	169	512	200	265	125	119	116	63	40	268
227-160	3	a	M20	540	55	160	60	160	312	266	300	214	300	218	644	245	326	160	156	153	63	55	328
227-160	3	b	M20	540	55	160	60	160	312	266	300	214	300	218	644	245	326	160	156	153	63	55	328
227-160	6	a	M20	540	55	160	60	160	312	266	300	214	300	218	644	245	326	160	156	153	63	55	328
227-160	9	a	M20	540	55	160	60	160	312	266	300	214	300	218	644	245	326	160	156	153	63	55	328
424-200	3	a	M24	950	70	220	80	200	420	372	364	262	345	274	776	292	387	200	196	193	63	70	380
424-200	3	b	M24	950	70	220	80	200	420	372	364	262	345	274	776	292	387	200	196	193	63	70	380
424-200	6	a	M24	950	70	220	80	200	420	372	364	262	345	274	776	292	387	200	196	193	63	70	380
424-200	9	a	M24	950	70	220	80	200	420	372	364	262	345	274	776	292	387	200	196	193	63	70	380
424-200	12	a	M24	950	70	220	80	200	420	372	364	262	345	274	776	292	387	200	196	193	63	70	380

**GERWAH® Backlash-free Safety Couplings**
**Type GWS 5422**
**Dimensions / Technical Data**
**S** = Disengagement travel

**S<sub>2min</sub>** = Min. distance between shaft ends

**T<sub>KNmin</sub>** = Min. adjustment value for transmissible torque

**T<sub>KNmax</sub>** = Max. adjustment value for transmissible torque

**n<sub>max</sub>** = Max. rotation speed

**T<sub>max</sub>** = *Max. transmissible torque*
**ΔKa** = Max. permissible axial deviation

**ΔKw** = Max. permissible angularly deviation

**ΔKr** = Max. permissible radial deviation

**Gw** = Weight

Size	S	S <sub>2min</sub>	T <sub>KNmin</sub>	T <sub>KNmax</sub>	n <sub>max</sub>	T <sub>max</sub>	ΔKa	ΔKw	ΔKr	Gw
	mm	mm	Nm	Nm	1/min	Nm	mm	Degree	mm	kg
058-090	4	98	670	1950	3000	5800	2	1,4	1,4	65
058-090	4	98	1350	3900	3000	5800	2	1,4	1,4	65
058-090	4	98	2000	5800	3000	5800	2	1,4	1,4	65
110-120	4	122	640	1850	2700	11400	2,4	1	1,8	86
110-120	4	122	1850	5500	2700	11400	2,4	1	1,8	86
110-120	4	122	3850	11000	2700	11400	2,4	1	1,8	86
227-160	4	158	880	2600	2300	28000	1,6	1	1,2	188
227-160	4	158	2600	7550	2300	28000	1,6	1	1,2	188
227-160	4	158	5300	15200	2300	28000	1,6	1	1,2	188
227-160	4	158	7900	22700	2300	28000	1,6	1	1,2	188
424-200	4	189	1200	3550	1900	46000	1,8	1	1,4	350
424-200	4	189	3550	10600	1900	46000	1,8	1	1,4	350
424-200	4	189	7350	21200	1900	46000	1,8	1	1,4	350
424-200	4	189	11000	31800	1900	46000	1,8	1	1,4	350
424-200	4	189	14700	42400	1900	46000	1,8	1	1,4	350

**Ordering example: GWS 5422**

Type	Size	d <sub>1</sub>	d <sub>2</sub>	Nm	MO	n <sub>M</sub>	Further details
GWS 5421	058-085	80	85	1850	b	4	*

\* Switch disc optional

Subject to technical changes.